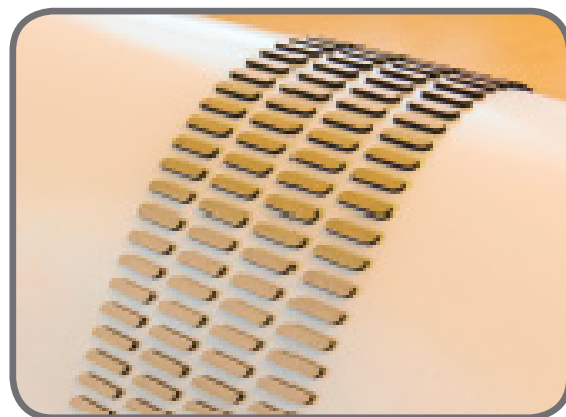


DCP™



Labels for Life.

STOCK DIE-CUT MASKING PRODUCTS For The Industrial Sector



www.identco.com

IDENTCO partners with industrial, transportation, and electronics customers across the globe to develop high performance labeling solutions that outlast the products they identify. We have a singular focus: labeling solutions. Adopting this singular focus has allowed us to develop and refine our processes over the past 30 years, and become leaders in collaborative, technology driven solutions.

IDENTCO TTP™ solutions offer optimal labels, ribbons, and equipment for your company's on-demand identification needs.

DCP™ – DIE CUT PRODUCTS

- Protective Masks & Lenses
- Adhesives & Bonding
- Insulators
- Custom Engineered Products



CPP™ – CUSTOM PRINTED PRODUCTS

- Brand Recognition Labels
- Graphic Overlays
- **UL / CSA** Nameplates
- Information & Instructional Labels
- Security & Anti-Counterfeiting Labels



TTP™ – THERMAL TRANSFER PRODUCTS

- Stock Blank Labels
- Custom Blank and Pre-printed Labels
- Labels for Automatic Placement Equipment
- Thermal Transfer Ribbons
- Thermal Transfer Printers & Label Software
- Scanners, Rewinders, Dispensers, & SMT Label Feeders



WMP™ – WIRE MARKING PRODUCTS

- Heat Shrink Sleeves (formatted and continuous)
- Self-laminating Cable Identification Labels
- Print-protected Labels
- Flag Wire Markers



DCP PRODUCT PORTFOLIO 1000-103-0417

DCP™



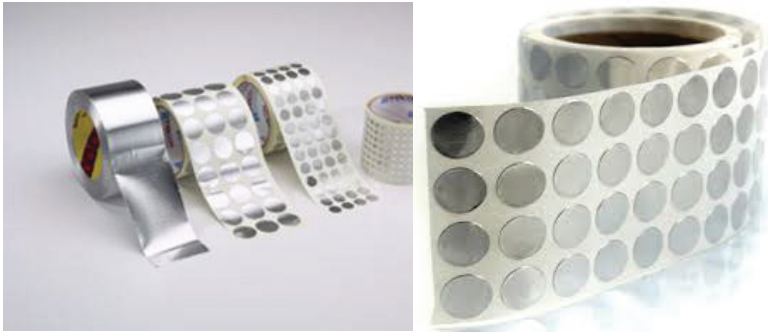
Labels for Life.

STOCK DIE-CUT PRODUCTS



Aluminum Disks	1
Aluminum Disks Part Numbers	2-3
Polyester Masking	4
Polyester Masking Part Numbers	5-6
Vinyl Masking	7
Vinyl Masking Part Numbers	8
Urethane Cushion	9
Urethane Cushion Part Numbers	10
Double Sided Adhesive	11
Double Sided Adhesive Part Numbers	12-13
Stock Round Size Description	14
Stock Square Size Description	15

Aluminum Discs



Aluminum Discs with permanent Adhesive

Product Description:

AT aluminum foil discs are provided in a range of sizes. Discs are provided on a liner, which is wound on a core. These discs are moisture and chemical resistant, thermally conductive, heat and light reflective, flame resistant, outdoor weatherable, and can help dampen vibration.

Available Materials:

- **3M439L** - 2.0 mil aluminum foil with 1.0 mil permanent bonding acrylic adhesive (Request a technical data sheet for more information).
- **3M433L** - 2.0 mil high temperature aluminum foil with 1.5 mil high temperature silicone adhesive (Request a technical data sheet for more information).
- **3M1170** - 2.0 mil aluminum foil with 1.2 mil electrically conductive acrylic adhesive (Request a technical data sheet for more information).

Recommended for:

Permanent sealing, holding, splicing, or masking applications requiring the protection of aluminum foil. 3M1170 has the added benefit of providing excellent electrical conductivity from the application substrate, common uses include grounding and EMI shielding in equipment, components, and shielded rooms.

Temperature Range:

Maximum Temperature: 600°F (316°C) (depending on the product and application).

Available:

Aluminum foil masks are available as a continuous roll or die cut.

Custom Options:

All stock aluminum masking products are also available in custom shapes and sizes and are supplied in auto apply or hand apply configurations. Please call or email IDENTCO for a quote for your custom requirements. • (800) 533-2559 • sales@identco.com • www.identco.com

DCP 2000 Aluminum Disks

DCP 2000 Aluminum Discs Permanent Acrylic Adhesive

Part Number	Material Number	Mask Size Inches/MM	Quantity Across Roll	Qty Per Roll	Page # for Size	Figure
DCP2200						
DCP2200-R125	3M439L	Round 0.125/3.175	5	5000	14	R1
DCP2200-R250	3M439L	Round 0.25/6.350	3	5000	14	R2
DCP2200-R375	3M439L	Round 0.375/9.525	3	5000	14	R3
DCP2200-R500	3M439L	Round 0.5/12.700	2	5000	14	R4
DCP2200-R625	3M439L	Round 0.625/15.875	2	2500	14	R5
DCP2200-R750	3M439L	Round 0.75/19.050	2	2500	14	R6
DCP2200-R875	3M439L	Round 0.875/22.225	2	2500	14	R7
DCP2200-R1000	3M439L	Round 1.0/25.400	2	2500	14	R8
DCP2200-S125	3M439L	Square 0.125/3.175	5	5000	15	S1
DCP2200-S250	3M439L	Square 0.25/6.350	3	5000	15	S2
DCP2200-S375	3M439L	Square 0.375/9.525	3	5000	15	S3
DCP2200-S500	3M439L	Square 0.5/12.700	2	5000	15	S4
DCP2200-S625	3M439L	Square 0.625/15.875	2	2500	15	S5
DCP2200-S750	3M439L	Square 0.75/19.050	2	2500	15	S6
DCP2200-S875	3M439L	Square 0.875/22.225	2	2500	15	S7
DCP2200-S1000	3M439L	Square 1.0/25.400	2	2500	15	S8

DCP 2000 Aluminum Discs Permanent Silicone Adhesive

DCP2300						
DCP2300-R125	3M433L	Round 0.125/3.175	5	5000	14	R1
DCP2300-R250	3M433L	Round 0.25/6.350	3	5000	14	R2
DCP2300-R375	3M433L	Round 0.375/9.525	3	5000	14	R3
DCP2300-R500	3M433L	Round 0.5/12.700	2	5000	14	R4
DCP2300-R625	3M433L	Round 0.625/15.875	2	2500	14	R5
DCP2300-R750	3M433L	Round 0.75/19.050	2	2500	14	R6
DCP2300-R875	3M433L	Round 0.875/22.225	2	2500	14	R7
DCP2300-R1000	3M433L	Round 1.0/25.400	2	2500	14	R8
DCP2300-S125	3M433L	Square 0.125/3.175	5	5000	15	S1
DCP2300-S250	3M433L	Square 0.25/6.350	3	5000	15	S2
DCP2300-S375	3M433L	Square 0.375/9.525	3	5000	15	S3
DCP2300-S500	3M433L	Square 0.5/12.700	2	5000	15	S4
DCP2300-S625	3M433L	Square 0.625/15.875	2	2500	15	S5
DCP2300-S750	3M433L	Square 0.75/19.050	2	2500	15	S6
DCP2300-S875	3M433L	Square 0.875/22.225	2	2500	15	S7
DCP2300-S1000	3M433L	Square 1.0/25.400	2	2500	15	S8

DCP 2000 Aluminum Disks

DCP 2000 Aluminum Discs Permanent Electrically **Conductive** Acrylic Adhesive

Part Number	Material Number	Mask Size Inches/MM	Quantity Across Roll	Qty Per Roll	Page # for Size	Figure
DCP2400						
DCP2400-R125	3M1170	Round 0.125/3.175	5	5000	14	R1
DCP2400-R250	3M1170	Round 0.25/6.350	3	5000	14	R2
DCP2400-R375	3M1170	Round 0.375/9.525	3	5000	14	R3
DCP2400-R500	3M1170	Round 0.5/12.700	2	5000	14	R4
DCP2400-R625	3M1170	Round 0.625/15.875	2	2500	14	R5
DCP2400-R750	3M1170	Round 0.75/19.050	2	2500	14	R6
DCP2400-R875	3M1170	Round 0.875/22.225	2	2500	14	R7
DCP2400-R1000	3M1170	Round 1.0/25.400	2	2500	14	R8
DCP2400-S125	3M1170	Square 0.125/3.175	5	5000	15	S1
DCP2400-S250	3M1170	Square 0.25/6.350	3	5000	15	S2
DCP2400-S375	3M1170	Square 0.375/9.525	3	5000	15	S3
DCP2400-S500	3M1170	Square 0.5/12.700	2	5000	15	S4
DCP2400-S625	3M1170	Square 0.625/15.875	2	2500	15	S5
DCP2400-S750	3M1170	Square 0.75/19.050	2	2500	15	S6
DCP2400-S875	3M1170	Square 0.875/22.225	2	2500	15	S7
DCP2400-S1000	3M1170	Square 1.0/25.400	2	2500	15	S8

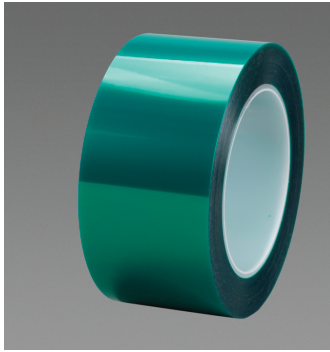


Contact us for a quote:

All stock aluminum masking products are also available in custom shapes and sizes and are supplied in auto apply or hand apply configurations. Please call or email IDENTCO for a quote for your custom requirements.

• www.identco.com • (800) 533-2559 • sales@identco.com

Polyester Masking



Polyester Masking Products

Product Description:

Polyester masking discs are manufactured from a polyester film tape used to mask off areas that do not require coating. Polyester masking discs have a silicone adhesive with excellent release properties that will not leave any adhesive residue. Discs are provided on a liner, which is wound on a core.

Available Materials:

- **3M8992L** - 2.0 mil green polyester film with 1.3 mil removable silicone adhesive.
- **PT628FR** - 2.0 mil flame retardant white polyester with a 1.0 mil high temperature acrylic adhesive.

Recommended for:

Masking for powdercoat painting. PT628FR is ideal for die cut parts used in electrical, electronics, and automotive industries where the prevention of flame propagation is required.

Applications include:

- Electrical and thermal insulation between electrical & mechanical devices and components
- Thermal barrier for PCB's
- Circuit board insulation
- High temperature masking

Temperature Range:

Maximum Temperature: 400°F (204°C)

Custom Options:

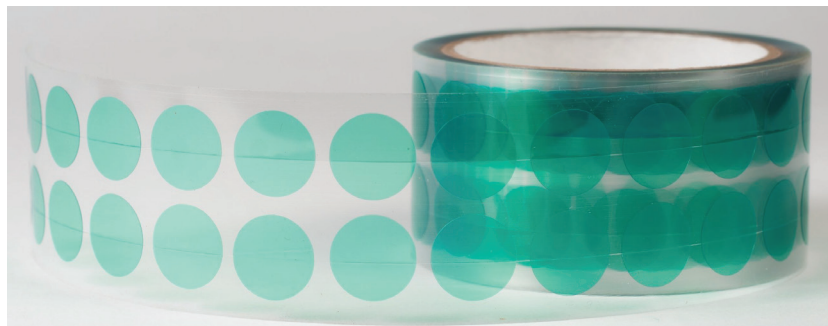
All stock polyester masking products are also available in custom shapes and sizes and are supplied in auto apply or hand apply configurations. Please call or email IDENTCO for a quote for your custom requirements.

- www.identco.com • (800) 533-2559 • sales@identco.com

DCP 3000 Polyester Masks

DCP3000 Polyester Masking

Part Number	Material Number	Mask Size Inches	Quantity Across Roll	Qty Per Roll	Page # for Size	Figure
DCP3200						
DCP3200-R125	3M8992L	Round 0.125	5	5000	14	R1
DCP3200-R250	3M8992L	Round 0.25	3	5000	14	R2
DCP3200-R375	3M8992L	Round 0.375	3	5000	14	R3
DCP3200-R500	3M8992L	Round 0.5	2	5000	14	R4
DCP3200-R625	3M8992L	Round 0.625	2	2500	14	R5
DCP3200-R750	3M8992L	Round 0.75	2	2500	14	R6
DCP3200-R875	3M8992L	Round 0.875	2	2500	14	R7
DCP3200-R1000	3M8992L	Round 1.0	2	2500	14	R8
DCP3200-S						
DCP3200-S125	3M8992L	Square 0.125	5	5000	15	S1
DCP3200-S250	3M8992L	Square 0.25	3	5000	15	S2
DCP3200-S375	3M8992L	Square 0.375	3	5000	15	S3
DCP3200-S500	3M8992L	Square 0.5	2	5000	15	S4
DCP3200-S625	3M8992L	Square 0.625	2	2500	15	S5
DCP3200-S750	3M8992L	Square 0.75	2	2500	15	S6
DCP3200-S875	3M8992L	Square 0.875	2	2500	15	S7
DCP3200-S1000	3M8992L	Square 1.0	2	2500	15	S8



Contact us for a quote:

All stock polyester masking products are also available in custom shapes and sizes and are supplied in auto apply or hand apply configurations. Please call or email IDENTCO for a quote for your custom requirements.

• www.identco.com • (800) 533-2559 • sales@identco.com

DCP 3500 Polyester Masks

DCP3500 Polyester Masks With Flame Retardant Rated Adhesive

Part Number	Material Number	Mask Size Inches/MM	Quantity Across Roll	Qty Per Roll	Page # for Size	Figure
DCP3500FR						
DCP3500FR-R125	PT628FR	Round 0.125/3.175	5	5000	14	R1
DCP3500FR-R250	PT628FR	Round 0.25/6.350	3	5000	14	R2
DCP3500FR-R375	PT628FR	Round 0.375/9.525	3	5000	14	R3
DCP3500FR-R500	PT628FR	Round 0.5/12.700	2	5000	14	R4
DCP3500FR-R625	PT628FR	Round 0.625/15.875	2	2500	14	R5
DCP3500FR-R750	PT628FR	Round 0.75/19.050	2	2500	14	R6
DCP3500FR-R875	PT628FR	Round 0.875/22.225	2	2500	14	R7
DCP3500FR-R1000	PT628FR	Round 1.0/25.400	2	2500	14	R8
DCP3500FR-S						
DCP3500FR-S125	PT628FR	Square 0.125/3.175	5	5000	15	S1
DCP3500FR-S250	PT628FR	Square 0.25/6.350	3	5000	15	S2
DCP3500FR-S375	PT628FR	Square 0.375/9.525	3	5000	15	S3
DCP3500FR-S500	PT628FR	Square 0.5/12.700	2	5000	15	S4
DCP3500FR-S625	PT628FR	Square 0.625/15.875	2	2500	15	S5
DCP3500FR-S750	PT628FR	Square 0.75/19.050	2	2500	15	S6
DCP3500FR-S875	PT628FR	Square 0.875/22.225	2	2500	15	S7
DCP3500FR-S1000	PT628FR	Square 1.0/25.400	2	2500	15	S8



Contact us for a quote:

All stock polyester masking products are also available in custom shapes and sizes and are supplied in auto apply or hand apply configurations. Please call or email IDENTCO for a quote for your custom requirements.

• www.identco.com • (800) 533-2559 • sales@identco.com

Vinyl Masking



Vinyl Masking Products

Product Description:

3M484L - is a 5.6 mil conformable and abrasion resistant vinyl tape with a 1.0 mil rubber based adhesive, used for masking various surfaces during electroplating and anodizing operations.

Available Materials:

- **3M484L** - 5.6 mil vinyl film with 1.1 mil removable rubber adhesive.

Recommended for:

Hard Anodizing, Soft Anodizing and electroplating.

Temperature Range:

Maximum Temperature: 170°F (77°C)



Custom Options:

All stock vinyl products are also available in custom shapes and sizes and are supplied in auto apply or hand apply configurations. Please call or email IDENTCO for a quote for your custom requirements.

- www.identco.com • (800) 533-2559 • sales@identco.com

Request a technical data sheet for more information

DCP 4000 Vinyl Masking

DCP 4000 Vinyl Masking

Part Number	Material Number	Mask Size Inches/MM	Quantity Across Roll	Qty Per Roll	Page # for Size	Figure
DCP4560						
DCP4560-R125	3M484L	Round 0.125/3.175	5	5000	14	R1
DCP4560-R250	3M484L	Round 0.25/6.350	3	5000	14	R2
DCP4560-R375	3M484L	Round 0.375/9.525	3	5000	14	R3
DCP4560-R500	3M484L	Round 0.5/12.700	2	5000	14	R4
DCP4560-R625	3M484L	Round 0.625/15.875	2	2500	14	R5
DCP4560-R750	3M484L	Round 0.75/19.050	2	2500	14	R6
DCP4560-R875	3M484L	Round 0.875/22.225	2	2500	14	R7
DCP4560-R1000	3M484L	Round 1.0/25.400	2	2500	14	R8
DCP4560-S125						
DCP4560-S125	3M484L	Square 0.125/3.175	5	5000	15	S1
DCP4560-S250	3M484L	Square 0.25/6.350	3	5000	15	S2
DCP4560-S375	3M484L	Square 0.375/9.525	3	5000	15	S3
DCP4560-S500	3M484L	Square 0.5/12.700	2	5000	15	S4
DCP4560-S625	3M484L	Square 0.625/15.875	2	2500	15	S5
DCP4560-S750	3M484L	Square 0.75/19.050	2	2500	15	S6
DCP4560-S875	3M484L	Square 0.875/22.225	2	2500	15	S7
DCP4560-S1000	3M484L	Square 1.0/25.400	2	2500	15	S8

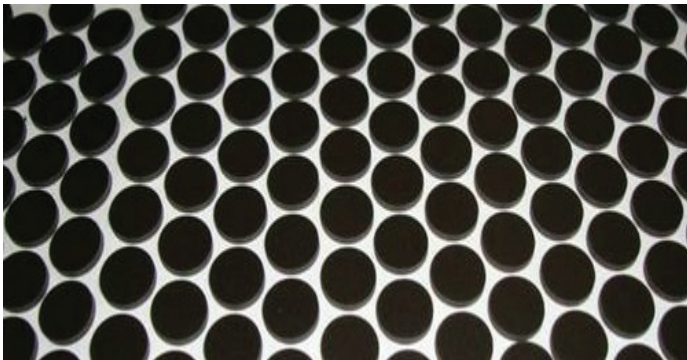


Contact us for a quote:

All stock vinyl products are also available in custom shapes and sizes and are supplied in auto apply or hand apply configurations. Please call or email IDENTCO for a quote for your custom requirements.

• www.identco.com • (800) 533-2559 • sales@identco.com

Urethane Cushion



Urethane Cushion & Bumper Products

Product Description:

Urethane cushion and bumper products are cellular foam in construction and are flexible and high density in nature that maintain excellent resistance to compression sets, exhibit high resiliency, provide good vibration damping, and impact absorption. These benefits in combination with 3M adhesive systems offer superior bond to a wide range of application surfaces.

Available Materials:

- **PORON 2302423** - 6.2 mil black with 3M 467 2.0 mil permanent adhesive

Other grades of PORON products are available upon request.

Recommended for:

Recommended for applications that require long term high performance gasketing, sealing, and cushioning from friction and impact to reduce or eliminate noise. This material will not become brittle or crumble and is non-corrosive to metals.

Typical Applications

- Environmental seals • Protective cases • Spacers
- Water sealing • Motor mounts • EMI/RFI shielding
- Springs • Sound damping • Gap filling • Gaskets

Temperature Range:

Maximum Temperature: range of up to 194 °F (90 °C).

Custom Options:

All stock urethane cushion and bumper products are also available in custom shapes and sizes and are supplied in auto apply or hand apply configurations. Please call or email IDENTCO for a quote for your custom requirements.

- www.identco.com • (800) 533-2559 • sales@identco.com



DCP 6000 Urethane Cushion

Part Number	Material Number	Mask Size Inches/MM	Quantity Across Roll	Qty Per Roll	Page # for Size	Figure
DCP6040						
DCP6040-R125	PORON 2302423 and 467MP	Round 0.125/3.175	5	5000	14	R1
DCP6040-R250	PORON 2302423 and 467MP	Round 0.25/6.350	3	5000	14	R2
DCP6040-R375	PORON 2302423 and 467MP	Round 0.375/9.525	3	5000	14	R3
DCP6040-R500	PORON 2302423 and 467MP	Round 0.5/12.700	2	5000	14	R4
DCP6040-R625	PORON 2302423 and 467MP	Round 0.625/15.875	2	2500	14	R5
DCP6040-R750	PORON 2302423 and 467MP	Round 0.75/19.050	2	2500	14	R6
DCP6040-R875	PORON 2302423 and 467MP	Round 0.875/22.225	2	2500	14	R7
DCP6040-R1000	PORON 2302423 and 467MP	Round 1.0/25.400	2	2500	14	R8
DCP6040-S125	PORON 2302423 and 467MP	Square 0.125/3.175	5	5000	15	S1
DCP6040-S250	PORON 2302423 and 467MP	Square 0.25/6.350	3	5000	15	S2
DCP6040-S375	PORON 2302423 and 467MP	Square 0.375/9.525	3	5000	15	S3
DCP6040-S500	PORON 2302423 and 467MP	Square 0.5/12.700	2	5000	15	S4
DCP6040-S625	PORON 2302423 and 467MP	Square 0.625/15.875	2	2500	15	S5
DCP6040-S750	PORON 2302423 and 467MP	Square 0.75/19.050	2	2500	15	S6
DCP6040-S875	PORON 2302423 and 467MP	Square 0.875/22.225	2	2500	15	S7
DCP6040-S1000	PORON 2302423 and 467MP	Square 1.0/25.400	2	2500	15	S8

The stock material is available in thickness range from 0.031" to 0.500" (0.79mm to 12.7mm).

PORON Urethane Cushion Additional Sizes COLOR: BLACK (04)

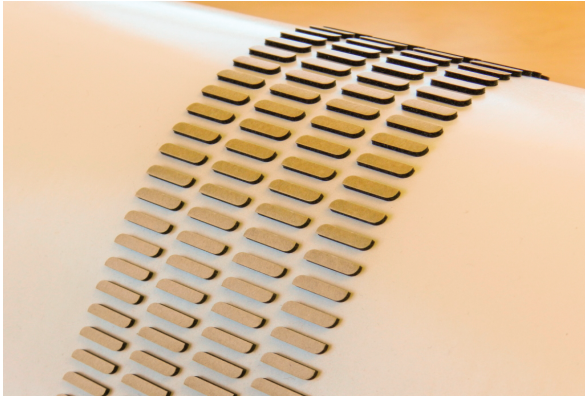
PRO DUCT NUMBER	PRO DUCT DESC RIPTION	TYPIC AL RO LL SIZE											
		DENSITY		THIC KNESS		WIDTH		LENG TH		TO TAL		APPRO X.	
		lbs/ft ³	kg/m ³	inch es	mm	inch es	mm	feet	m	ft ²	m ²	lbs.	kg
230249 7	4701-40-30031- 04	30	480	0.031	0.79	54T	1372	150	45.7	675	62.7	58	26
230249 6	4701-40-30045- 04	30	480	0.045	1.14	54T	1372	150	45.7	675	62.7	82	37
230242 3	4701-40-20062- 04	20	320	0.062	1.57	54T	1372	300	91.4	1350	125.4	145	66
230342 0	4701-40-20093- 04	20	320	0.093	2.36	54T	1372	225	68.6	1012	94.1	163	74
230242 4	4701-40-20125- 04	20	320	0.125	3.18	54T	1372	165	50.3	742	69.0	161	73
230242 5	4701-40-15188- 04	15	240	0.188	4.78	54T	1372	100	30.5	450	41.8	112	51
230342 5	4701-40-15250- 04	15	240	0.250	6.35	54T	1372	80	24.4	360	33.4	118	54
230343 2	4701-40-15375- 04	15	240	0.375	9.53	54T	1372	60	18.3	270	25.1	133	60
230343 3	4701-40-15500- 04	15	240	0.500	12.70	54T	1372	40	12.2	180	16.7	118	54

Contact us for a quote:

All stock urethane cushion and bumper products are also available in custom shapes and sizes and are supplied in auto apply or hand apply configurations. Please call or email IDENTCO for a quote for your custom requirements.

• www.identco.com • (800) 533-2559 • sales@identco.com

Double Sided Adhesive



Double Sided Adhesive Products

Product Description (With Foam):

3M 4496B is a double coated polyethylene foam tape that combines a conformable closed cell foam with a high strength permanent acrylic adhesive that provides good initial tack and offers high ultimate adhesion to a wide variety of surfaces. This product is available in black or white. We offer the full range of the following products in this category:

- 4462W, 4462B, 4466W, 4466B, 4492G, 4492W, 4492B, 4496W and 4496B

Available Materials:

We offer the full range of the following products in this category:

- 4462W, 4462B, 4466W, 4466B, 4492G, 4492W, 4492B, 4496W and 4496B

Recommended for:

The foam construction makes these products ideal for many joining, mounting, gasketing, and sealing applications involving irregular surfaces.

Temperature Range:

Maximum Temperature: 120°F (49°C) to 158°F (70°C)

Product Description (Without Foam):

3M 467MP and 468MP with 200MP adhesive offers the following excellent performance characteristics: clarity, high temperature performance, and excellent shear strength (that minimizes edge lifting and slippage of parts). Finally, this adhesive family is provided with a variety of liner configurations to help ensure process flexibility.

Recommended for:

Long term bonding to metal and high surface energy plastics in the electronic, automotive, and industrial equipment markets.

Temperature Range:

Maximum Temperature: 400°F (204°C)

Custom Options:

All stock double sided adhesive products are also available in custom shapes and sizes. Please call or email IDENTCO for a quote for your custom requirements.

- www.identco.com • (800) 533-2559 • sales@identco.com

DCP 8000 Adhesive

DCP 4000 Double Sided Adhesive (with foam)

Part Number	Material Number	Mask Size Inches/MM	Quantity Across Roll	Qty Per Roll	Page # for Size	Figure
DCP4000						
DCP4000-R125	3M 4496B	Round 0.125/3.175	5	5000	14	R1
DCP4000-R250	3M 4496B	Round 0.25/6.350	3	5000	14	R2
DCP4000-R375	3M 4496B	Round 0.375/9.525	3	5000	14	R3
DCP4000-R500	3M 4496B	Round 0.5/12.700	2	5000	14	R4
DCP4000-R625	3M 4496B	Round 0.625/15.875	2	2500	14	R5
DCP4000-R750	3M 4496B	Round 0.75/19.050	2	2500	14	R6
DCP4000-R875	3M 4496B	Round 0.875/22.225	2	2500	14	R7
DCP4000-R1000	3M 4496B	Round 1.0/25.400	2	2500	14	R8
DCP4000-S125	3M 4496B	Square 0.125/3.175	5	5000	15	S1
DCP4000-S250	3M 4496B	Square 0.25/6.350	3	5000	15	S2
DCP4000-S375	3M 4496B	Square 0.375/9.525	3	5000	15	S3
DCP4000-S500	3M 4496B	Square 0.5/12.700	2	5000	15	S4
DCP4000-S625	3M 4496B	Square 0.625/15.875	2	2500	15	S5
DCP4000-S750	3M 4496B	Square 0.75/19.050	2	2500	15	S6
DCP4000-S875	3M 4496B	Square 0.875/22.225	2	2500	15	S7
DCP4000-S1000	3M 4496B	Square 1.0/25.400	2	2500	15	S8

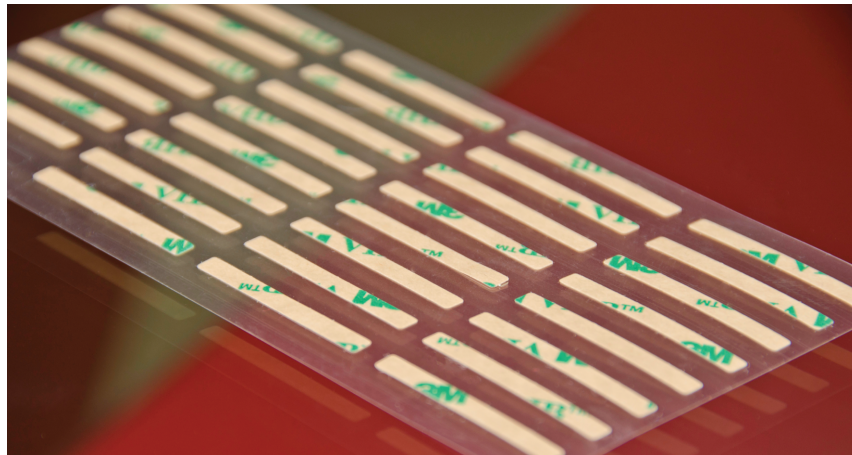
DCP 4000 Double Sided Adhesive (without foam)

DCP4467						
DCP4467-R125	3M 467MP	Round 0.125/3.175	5	5000	14	R1
DCP4467-R250	3M 467MP	Round 0.25/6.350	3	5000	14	R2
DCP4467-R375	3M 467MP	Round 0.375/9.525	3	5000	14	R3
DCP4467-R500	3M 467MP	Round 0.5/12.700	2	5000	14	R4
DCP4467-R625	3M 467MP	Round 0.625/15.875	2	2500	14	R5
DCP4467-R750	3M 467MP	Round 0.75/19.050	2	2500	14	R6
DCP4467-R875	3M 467MP	Round 0.875/22.225	2	2500	14	R7
DCP4467-R1000	3M 467MP	Round 1.0/25.400	2	2500	14	R8
DCP4467-S125	3M 467MP	Square 0.125/3.175	5	5000	15	S1
DCP4467-S250	3M 467MP	Square 0.25/6.350	3	5000	15	S2
DCP4467-S375	3M 467MP	Square 0.375/9.525	3	5000	15	S3
DCP4467-S500	3M 467MP	Square 0.5/12.700	2	5000	15	S4
DCP4467-S625	3M 467MP	Square 0.625/15.875	2	2500	15	S5
DCP4467-S750	3M 467MP	Square 0.75/19.050	2	2500	15	S6
DCP4467-S875	3M 467MP	Square 0.875/22.225	2	2500	15	S7
DCP4467-S1000	3M 467MP	Square 1.0/25.400	2	2500	15	S8

DCP 8000 Adhesive

DCP 4000 Double Sided Adhesive (without foam)

Part Number	Material Number	Mask Size Inches/MM	Quantity Across Roll	Qty Per Roll	Page # for Size	Figure
DCP4468						
DCP4468-R125	3M 468MP	Round 0.125/3.175	5	5000	14	R1
DCP4468-R250	3M 468MP	Round 0.25/6.350	3	5000	14	R2
DCP4468-R375	3M 468MP	Round 0.375/9.525	3	5000	14	R3
DCP4468-R500	3M 468MP	Round 0.5/12.700	2	5000	14	R4
DCP4468-R625	3M 468MP	Round 0.625/15.875	2	2500	14	R5
DCP4468-R750	3M 468MP	Round 0.75/19.050	2	2500	14	R6
DCP4468-R875	3M 468MP	Round 0.875/22.225	2	2500	14	R7
DCP4468-R1000	3M 468MP	Round 1.0/25.400	2	2500	14	R8
DCP4468-S125	3M 468MP	Square 0.125/3.175	5	5000	15	S1
DCP4468-S250	3M 468MP	Square 0.25/6.350	3	5000	15	S2
DCP4468-S375	3M 468MP	Square 0.375/9.525	3	5000	15	S3
DCP4468-S500	3M 468MP	Square 0.5/12.700	2	5000	15	S4
DCP4468-S625	3M 468MP	Square 0.625/15.875	2	2500	15	S5
DCP4468-S750	3M 468MP	Square 0.75/19.050	2	2500	15	S6
DCP4468-S875	3M 468MP	Square 0.875/22.225	2	2500	15	S7
DCP4468-S1000	3M 468MP	Square 1.0/25.400	2	2500	15	S8



Contact us for a quote:

All stock double sided adhesive products are also available in custom shapes and sizes. Please call or email IDENTCO for a quote for your custom requirements.

• www.identco.com • (800) 533-2559 • sales@identco.com

Figure: R1

Edge Trim: 0.0625 in, 1.5875 mm

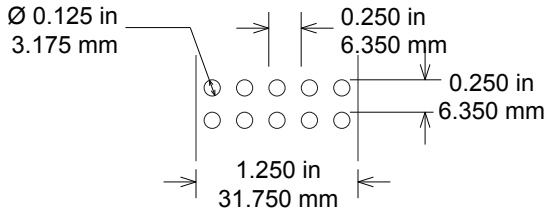


Figure: R2

Edge Trim: 0.0625 in, 1.5875 mm

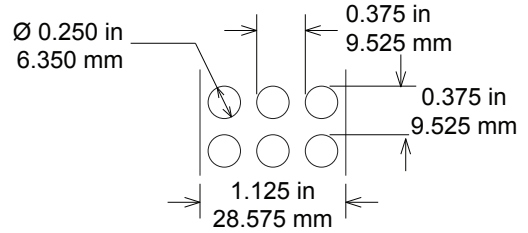


Figure: R3

Edge Trim: 0.0625 in, 1.5875 mm

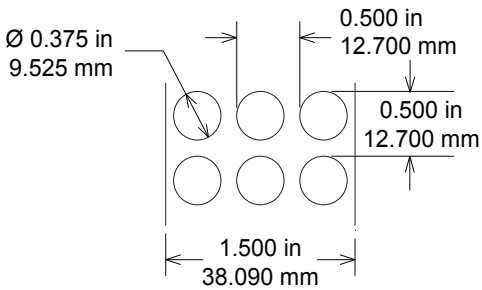


Figure: R4

Edge Trim: 0.0625 in, 1.5875 mm

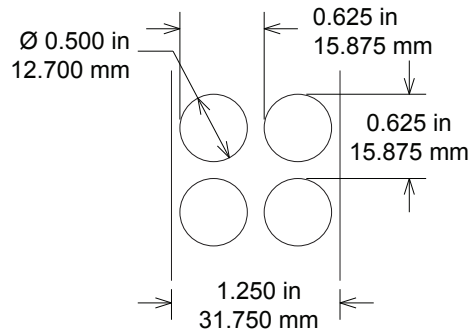


Figure: R5

Edge Trim: 0.0625 in, 1.5875 mm

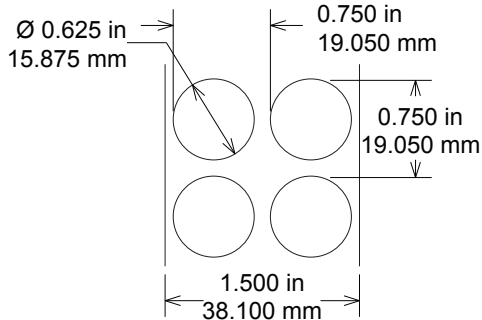


Figure: R6

Edge Trim: 0.0625 in, 1.5875 mm

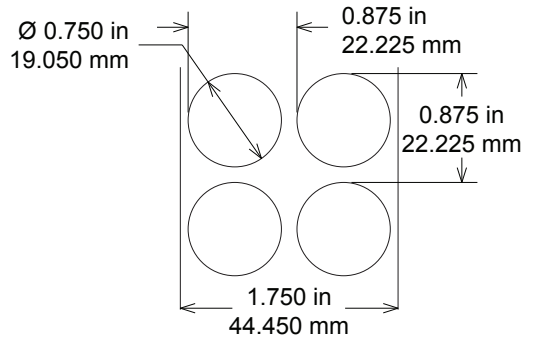


Figure: R7

Edge Trim: 0.0625 in, 1.5875 mm

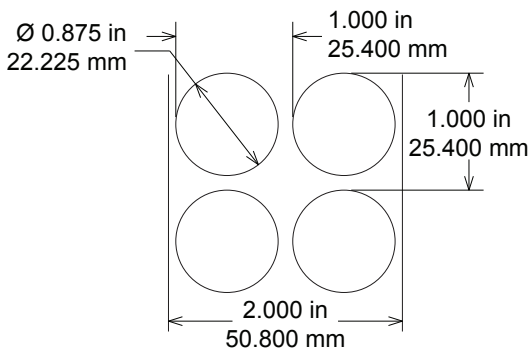


Figure: R8

Edge Trim: 0.0625 in, 1.5875 mm

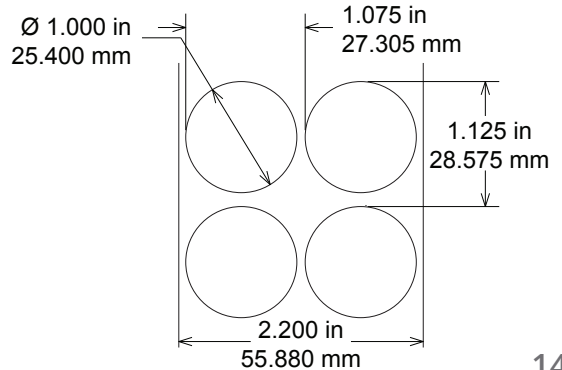


Figure: S1

Edge Trim: 0.0625 in, 1.5875 mm

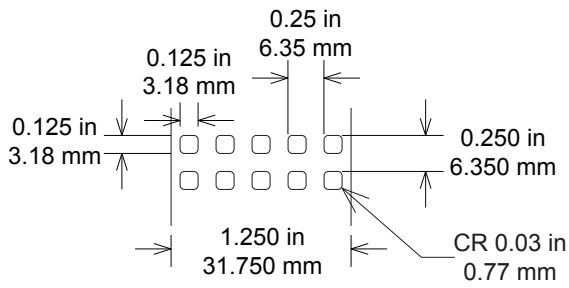


Figure: S2

Edge Trim: 0.0625 in, 1.5875 mm

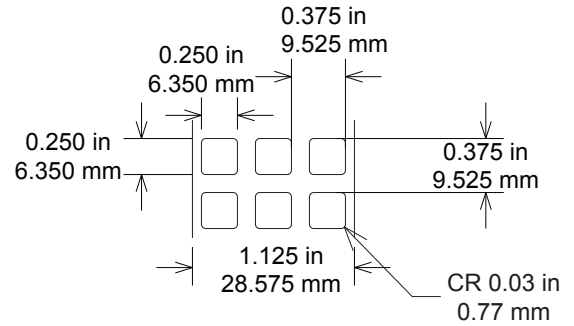


Figure: S3

Edge Trim: 0.0625 in, 1.5875 mm

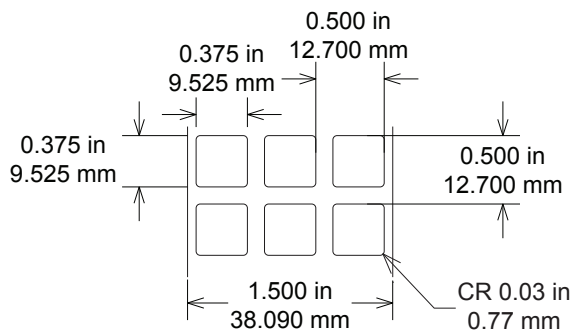


Figure: S4

Edge Trim: 0.0625 in, 1.5875 mm

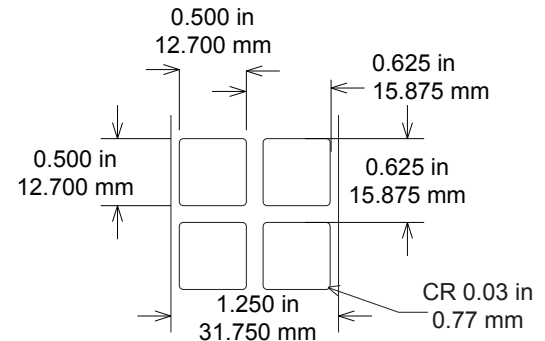


Figure: S5

Edge Trim: 0.0625 in, 1.5875 mm

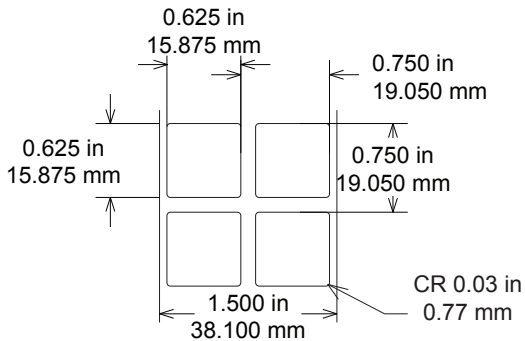


Figure: S6

Edge Trim: 0.0625 in, 1.5875 mm

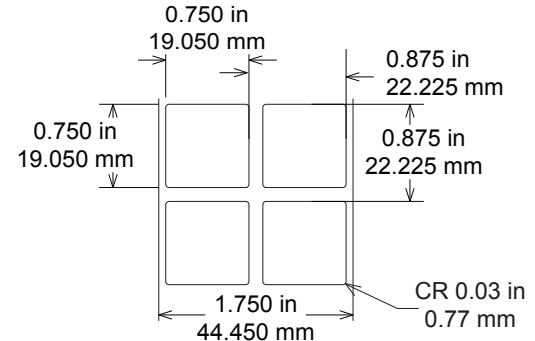


Figure: S7

Edge Trim: 0.0625 in, 1.5875 mm

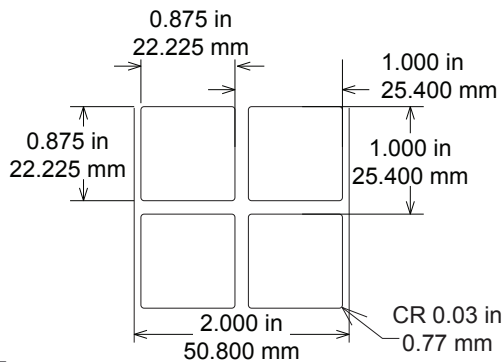
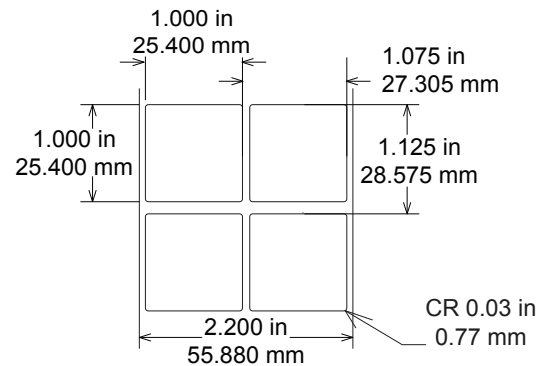


Figure: S8

Edge Trim: 0.0625 in, 1.5875 mm



ASSUME QUALITY, EXPECT PERFECTION.

HIGHEST QUALITY GLOBAL PRODUCTION

With IDENTCO quality-control safeguards we are able to ensure consistent, accurate production globally. To achieve this, we use the same equipment, materials, inks, and procedures in all of our facilities. So no matter where we produce your labels, they look and perform the same every time.

All of our locations are able to meet the same branding, performance, and regulatory specifications. We provide excellent color-matching capabilities and accuracy, as well as a fully-equipped testing laboratory with superior quality control processes. It's just another way IDENTCO can ensure our customers consistent success.

QUALITY MANAGEMENT SYSTEMS



ISO-CERTIFIED Quality Management System

ISO 9001 - QUALITY MANAGEMENT STANDARD
TS 16949 - AUTOMOTIVE MANAGEMENT STANDARD
ISO 14001 - ENVIRONMENTAL MANAGEMENT STANDARD

AGENCY RECOGNITIONS



UL: UNDERWRITERS LABORATORIES
UL-Authorized Label Supplier Program
UL-Recognized Label and Ribbon Combinations

CSA: CANADIAN STANDARDS ASSOCIATION



CENTER OF EXCELLENCE



Labels for Life.

www.identco.com

**UNITED STATES
HEADQUARTERS**

28164 W. Concrete Drive
Ingleside, IL 60041
Phone: +1 (815) 385 - 0011
Fax +1 (815) 385 - 0359

**MEXICO
MONTERREY**

Carr. a Laredo Km. 16.5 Interior
14B, Col. Moisés Sáenz, 66613
Apodaca, Nuevo Leon
Phone: +52 (81) 8008 - 0438

**GERMANY
FRANKFURT**

Güterbahnhofstrasse 3-7
63450 Hanau
Phone: +49 (6181) 440 830 - 0
Fax: +49 (6181) 440 830 - 99

**PRC
HONG KONG**

Unit 1708, 17/F, 9 Wing Hong St.
Cheung Sha Wan, Kowloon
Phone: +852 2959 2156
Fax: +852 2959 2019

**MALAYSIA
PENANG**

Suite 163E, Level 16, Room 1602
Hunza Tower Gurney Paragon
Jalan Kelawei, Georgetown
10250 Penang
Phone: +6012 466 - 0866