

**JUKI**<sup>®</sup>

LOWEST COST OF OWNERSHIP

# **P-Primo**

*The Large Platform SMT Screen Printer*



## PERFORMANCE

Machine Alignment Capability	2Cmk @ ±12.5 microns 4 Sigma
Process Alignment Capability	2Cpk @ ±25 microns 4 Sigma
Core Cycle Time (excluding printing & cleaning time)	< 12 secs
Product Changeover Time	< 5 mins
New Product Set-up Time	< 10 mins

## BOARD HANDLING

Max. Size (L x W)	850 mm x 610 mm
Min. Size (L x W)	100 mm x 65 mm
Thickness	0.4~8 mm
PCB Thickness Adjustment	Automatic
PCB Max. Weight	5 kg
PCB Edge Clearance	3.5 mm
PCB Bottom Clearance	23 mm
PCB Warpage	Max. 1% diagonally
Clamping Method	Retractable top clamp, motor controlled side clamp
Support Method	Magnetic support pins, bars, blocks, vacuum suction
Conveyor Direction	L to R, R to L, R to R, L to L (software control)
Conveyor Height	900 ± 40 mm
Conveyor Speed (max.)	1,500 mm/s
Conveyor Width Adjustment	Automatic

## OPERATOR INTERFACE

Hardware	LCD Monitor, Mouse & Keyboard
Operating System (OS)	Windows 7 or Higher
Control Method	Industrial PC controlled
I/O Interface	SMEMA Standard

## OPTICAL SYSTEM

Field-of-View (FOV)	8 mm x 6 mm
Fiducial Types	Circle, triangle, square, diamond, cross
Fiducial Size	0.5~4.0 mm
Vision Methodology	CCD camera look up & down
2D Inspection	Max. 100 windows to inspect missing & insufficient (std.)

## PRINTING PARAMETERS

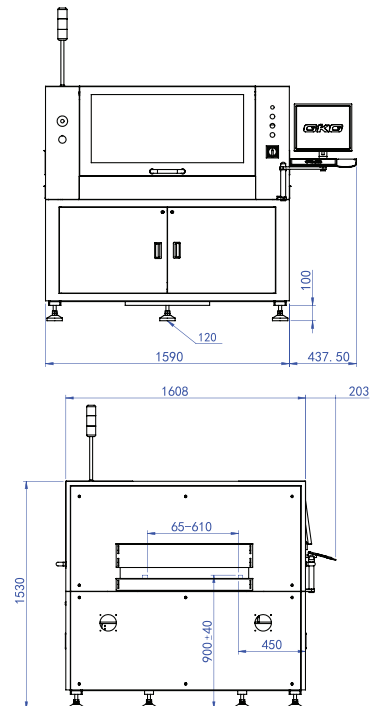
Stencil Frame Size (L x W)	Adjustable, 737 mm x 737 mm to 1,100 mm x 850 mm
Print Gap (snap-off)	0~20 mm
Printing Table Adjustment Range	X: ±10 mm, Y: ±10 mm/θ: ±2°
Print Speed	5~150 mm/s
Squeegee Pressure	0.5~10kg (program control)
Squeegee Type	Std.: Metal, Option: Rubber
Squeegee Angle	Std. 60°, Option 45°, 50°, 55°
Cleaning System	Auto wet, dry, vacuum (Software select)

## FACILITIES REQUIREMENT

Power Supply	AC220V ± 10% 50/60Hz
Power Consumption	3kW
Air Supply	4 ~ 6Kgf/cm <sup>2</sup>
Dimension (excluding signal tower)	1,590 mm (L) x 1,608mm (W) x 1,530 mm (H)
Machine Weight	1,400 kg

## OPTIONS

Stencil Apertures Inspection System
SPI Closed-Loop
Temperature, Humidity Monitoring & Display
External Barcode Scanner for PCB Traceability
Handheld Barcode Scanner for stencil, solder paste, squeegee traceability



# JUKI®

MANUFACTURER: JUKI CORPORATION

INQUIRY: JUKI AUTOMATION SYSTEMS CORPORATION

2-11-1, Tsurumaki, Tama-shi, Tokyo 206-8551, JAPAN  
TEL.81-42-357-2293 FAX.81-42-357-2285

<http://www.juki.co.jp>

### North America Headquarters:

Juki Automation Systems  
5151 McCrimmon Parkway  
Suite 200  
Morrisville, NC 27560  
Phone: 919-460-0111  
Email: [sales@jas-smt.com](mailto:sales@jas-smt.com)  
[www.jukiamericas.com](http://www.jukiamericas.com)

### North America Sales Office:

Juki Automation Systems  
412 Kato Terrace  
Fremont, CA 94539  
Phone: 510-249-6700

JUKI Specifications and appearance may be changed without notice.  
This catalogue prints with environment-friendly soyink on recycle paper.