

**JUKI**<sup>®</sup>

LOWEST COST OF OWNERSHIP

# **P-Led**

*Perfect Solution for  
LED Tube PCB Paste Printing*



## PERFORMANCE

Machine Alignment Capability	2CmK @ ±15 microns 4 Sigma
Process Alignment Capability	2CpK @ ±30 microns 4 Sigma
Core Cycle Time (excluding printing & cleaning time)	< 15 secs
Product Changeover Time	< 5 mins
New Product Set-up Time	< 10 mins

## BOARD HANDLING

Max. Size (L x W)	1,524 mm x 350 mm
Min. Size (L x W)	80 mm x 50 mm
Thickness	0.8~6 mm
PCB Thickness Adjustment	Automatic
PCB Max. Weight	5 kg
PCB Edge Clearance	3.5 mm
PCB Bottom Clearance	15 mm
Clamping Method	Top clamp (Manual) & Motorized side clamp
Support Method	Std. Magnetic support pins, bars, blocks.
Conveyor Direction	L to R, R to L, R to R, L to (software control)
Conveyor Height	900 ± 40 mm
Conveyor Speed (max.)	1,500 mm/s
Conveyor Width Adjustment	Automatic

## FACILITIES REQUIREMENT

Power Supply	AC220V ± 10% 50/60Hz
Power Consumption	3kW
Air Supply	4 ~ 6Kgf/cm <sup>2</sup>
Dimension (excluding signal tower)	2,570 mm (L) x 1,210 mm (W) x 1,509 mm (H)
Machine Weight	1,800kg

## OPTIONS

SPI Closed-loop
Temperature, humidity monitoring & display
External Barcode Scanner for PCB Traceability
Handheld Barcode Scanner for stencil, solder paste, squeegee traceability

## OPERATOR INTERFACE

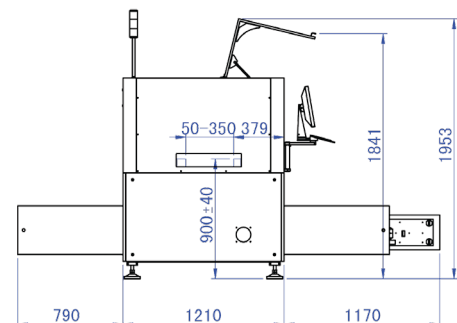
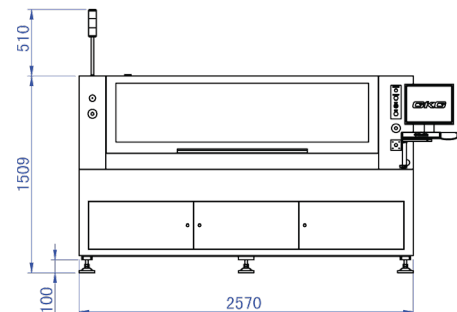
Hardware	LCD Monitor, Mouse & Keyboard
Operating System (OS)	Windows 7 or Higher
Control Method	Industrial PC controlled
I/O Interface	SMEMA Standard

## PRINTING PARAMETERS

Stencil Frame Size (L x W)	Adjustable, 720 mm x 300 mm to 1,800mm x 750mm
Printing Table Adjustment Range	X: ±10 mm, Y: ±10 mm/θ: ± 2°
Print Speed	10~200 mm/s
Squeegee Pressure	0.5~15kg (program control)
Squeegee Type	Std.: Metal 280/350mm, Option: Rubber
Printing Stroke Direction	Left to Right, Right to Left
Squeegee Angle	Std. 60°, Option 45°, 50°, 55°
Cleaning System	Auto wet, dry, vacuum (Software select)

## OPTICAL SYSTEM

Field-of-View (FOV)	8 mm x 6 mm
Fiducial Types	Circle, triangle, square, diamond, cross
Fiducial Size	0.5~4.0 mm
Camera System	CCD camera look up & down
2D Inspection	Max.100 windows to inspect missing & insufficient (std.)



# JUKI®

MANUFACTURER : JUKI CORPORATION

INQUIRY : JUKI AUTOMATION SYSTEMS CORPORATION

2-11-1, Tsurumaki, Tama-shi, Tokyo 206-8551, JAPAN  
TEL.81-42-357-2293 FAX.81-42-357-2285

<http://www.juki.co.jp>

### North America Headquarters:

Juki Automation Systems  
5151 McCrimmon Parkway  
Suite 200  
Morrisville, NC 27560  
Phone: 919-460-0111  
Email: [sales@jas-smt.com](mailto:sales@jas-smt.com)  
[www.jukiamericas.com](http://www.jukiamericas.com)

### North America Sales Office:

Juki Automation Systems  
412 Kato Terrace  
Fremont, CA 94539  
Phone: 510-249-6700